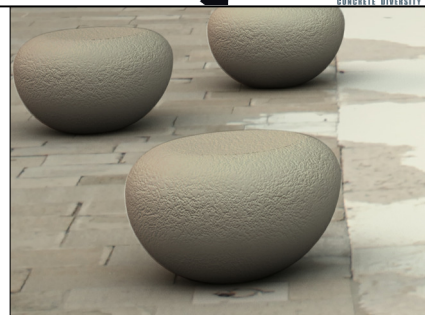


# Seat Cloud



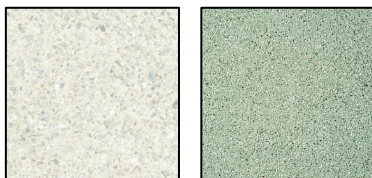
## CHARACTERISATIONS

**MATERIAL** Reinforced cast stone  
**FIXING** 1x M12 shelve - lenght 20cm  
**WEIGHT** 185 Kg



Designer: Urba-Style (BE)

## COLOUR

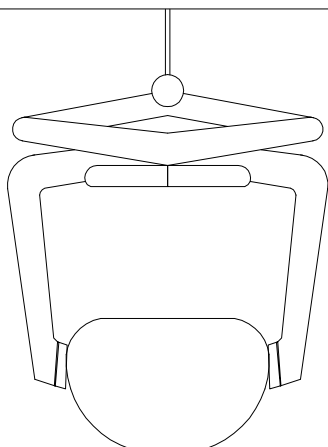


## FINISHING

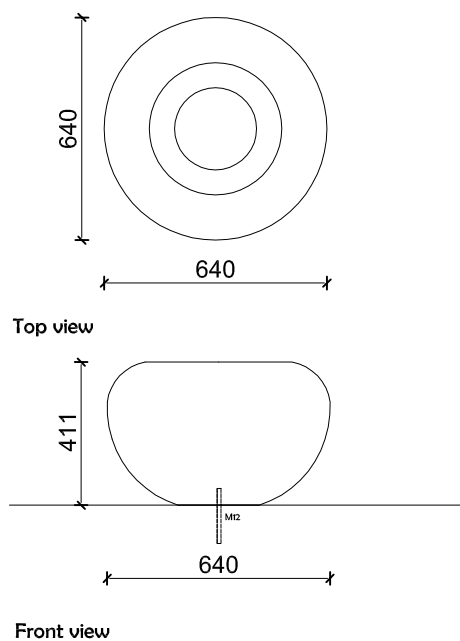
Acid etched


Waterproof and anti-graffiti protection

## HANDLING



## GEOMETRY



Scale 0 cm  80 cm

