

Pop Up Planter



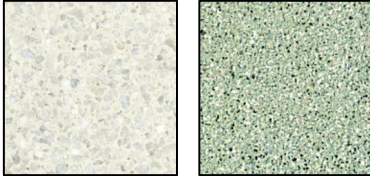
CHARACTERISATIONS

MATERIAL Cast stone
FIXING Free-standing
WEIGHT 600kg



Designer: Roel Vandebek (BE)

COLOUR

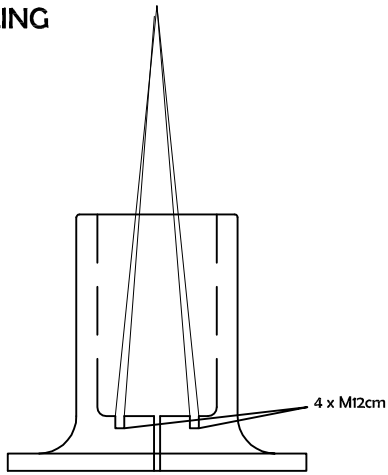


FINISHING

Acid etched

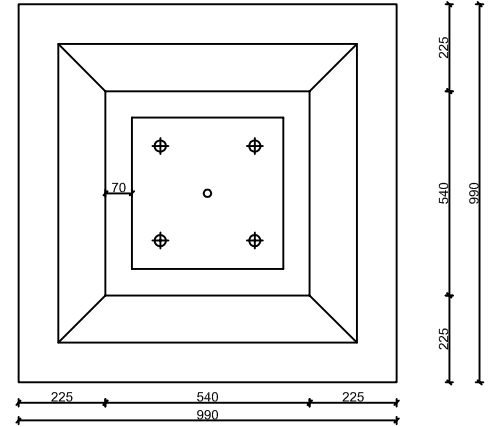
Waterproof and anti-graffiti protection

HANDLING

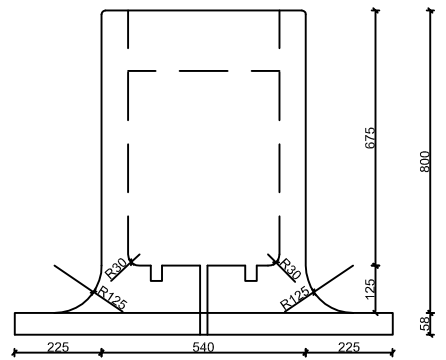


GEOMETRY

Top view



Side view



Detail

Scale 0 cm 40 cm

