

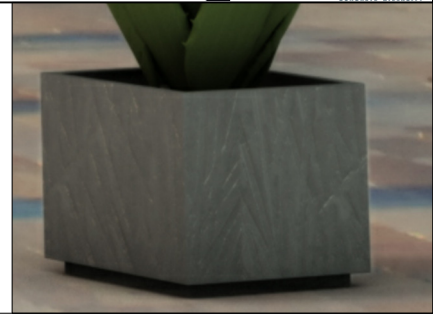
# Planter Lau-Scape



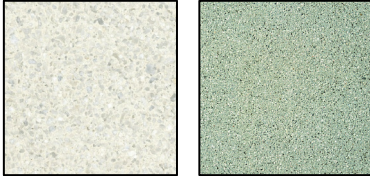
Designer: Arne Quinze

## CHARACTERISATIONS

**MATERIAL** Reinforced cast stone  
**FIXING** Free-standing  
**WEIGHT** 370 Kg



## COLOUR

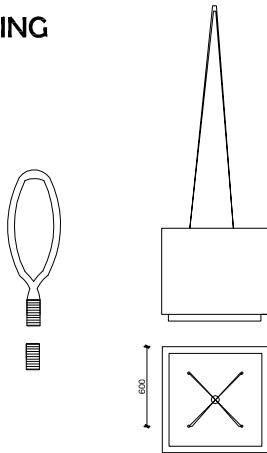


## FINISHING

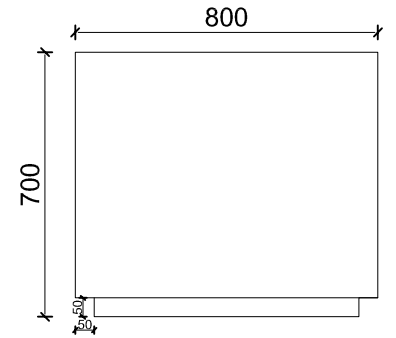
Acid etched

Waterproof and anti-graffiti protection

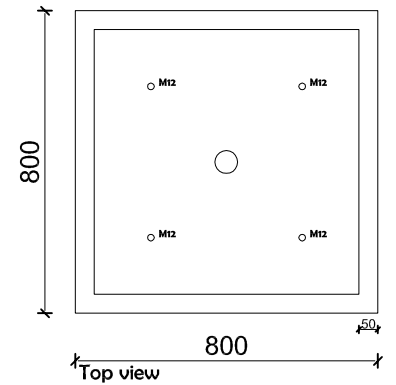
## HANDLING




## GEOMETRY



Front view



Top view

Scale 0 cm  40 cm

