

Bollard Type 27.2



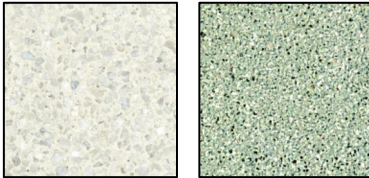
CHARACTERISATIONS

MATERIAL Cast stone
FIXING 1x M12 shelve - lenght 200 mm
WEIGHT 130 kg



Designer: Urba-Style (BE)

COLOUR

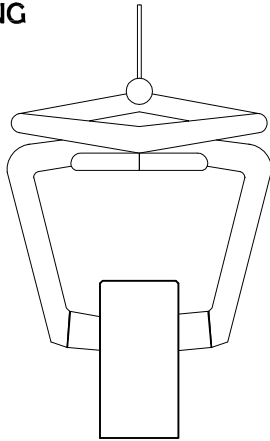


FINISHING

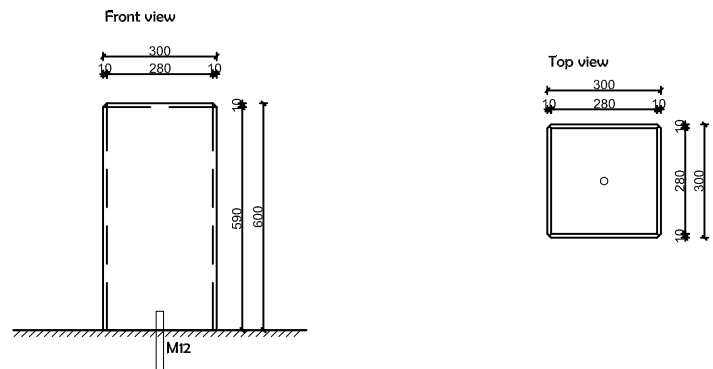
Acid etched

Waterproof and anti-graffiti protection


HANDLING



GEOMETRY



Detail

Scale 0 cm  40 cm

