

# Bench Type 25.1



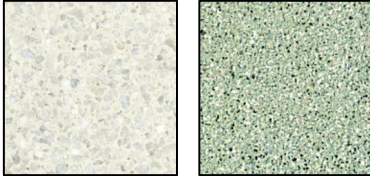
## CHARACTERISATIONS

**MATERIAL** Cast stone  
**FIXING** Free standing  
**WEIGHT** 4070 kg



Designer: Urba-Style (BE)

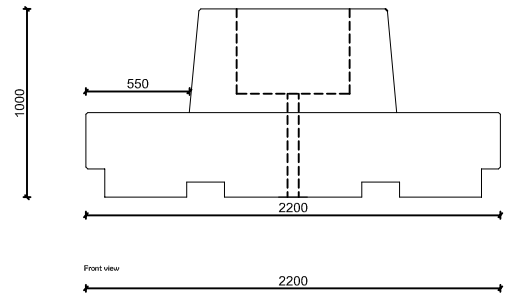
## COLOUR



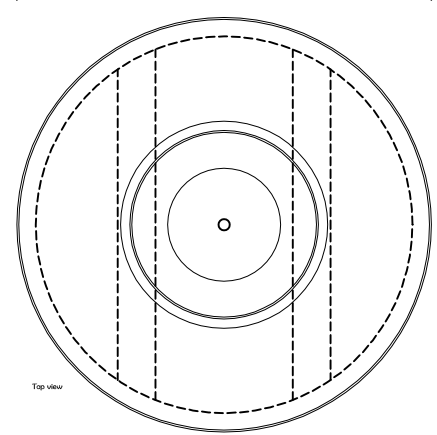
**FINISHING** Acid etched

Waterproof and anti-graffiti protection

## GEOMETRY

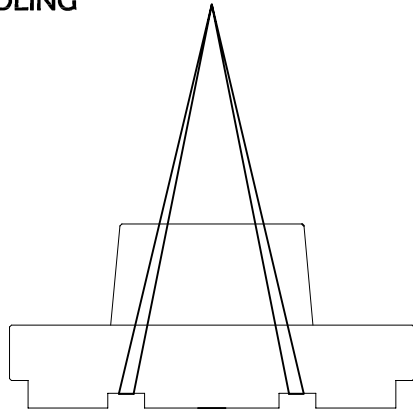


Front view




Top view

## HANDLING



Detail

Scale 0 cm  40 cm

