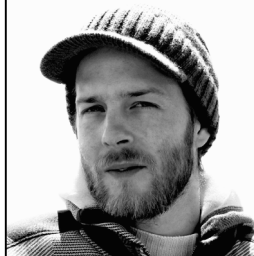
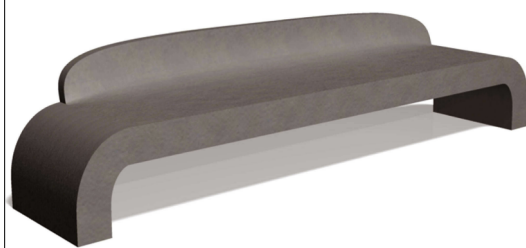


Bench Stability



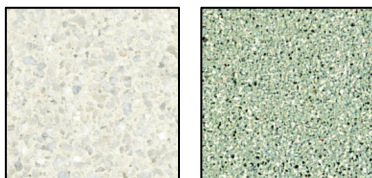
CHARACTERISATIONS

MATERIAL Cast stone
FIXING 2x M12 shelve
WEIGHT 600 kg



Designer: Benjamin Pawlica (FR)

COLOUR

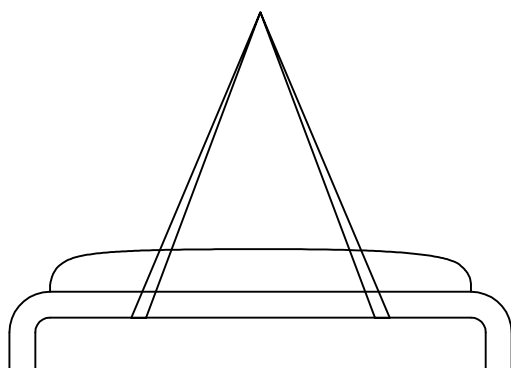


FINISHING

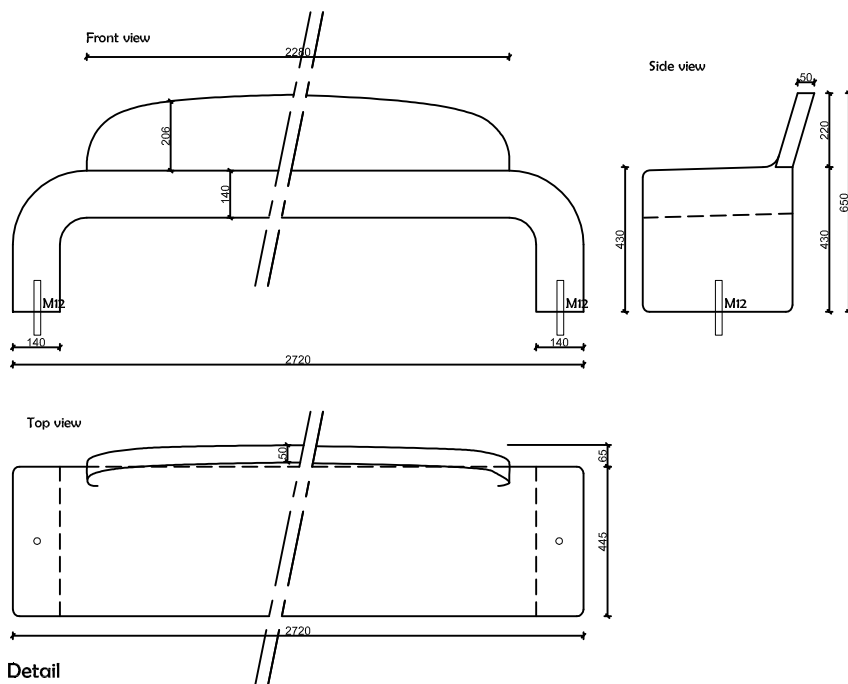
Acid etched

Waterproof and anti-graffiti protection

HANDLING



GEOMETRY



Scale 0 cm 40 cm

