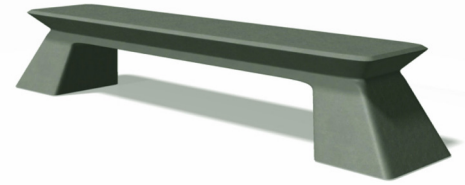


Bench Solid Block



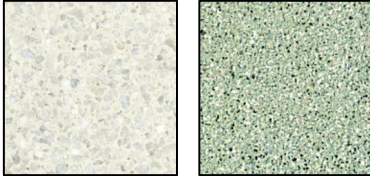
CHARACTERISATIONS

MATERIAL Cast stone
FIXING 2x M12 shelve - lenght 200 mm
WEIGHT 360 kg



Designer: Benjamin Pawlica (FR)

COLOUR

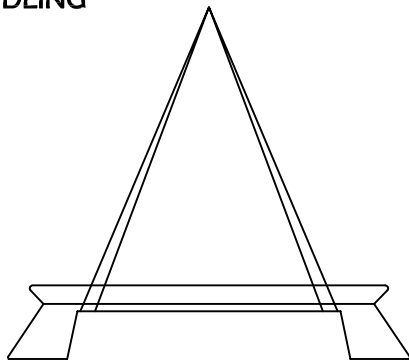


FINISHING

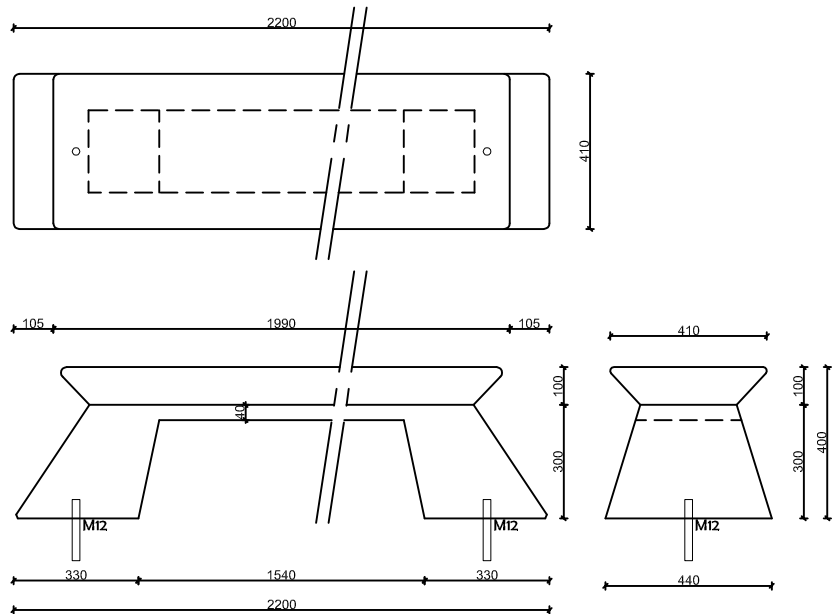
Acid etched

Waterproof and anti-graffiti protection


HANDLING



GEOMETRY



Detail

Scale 0 cm  40 cm

